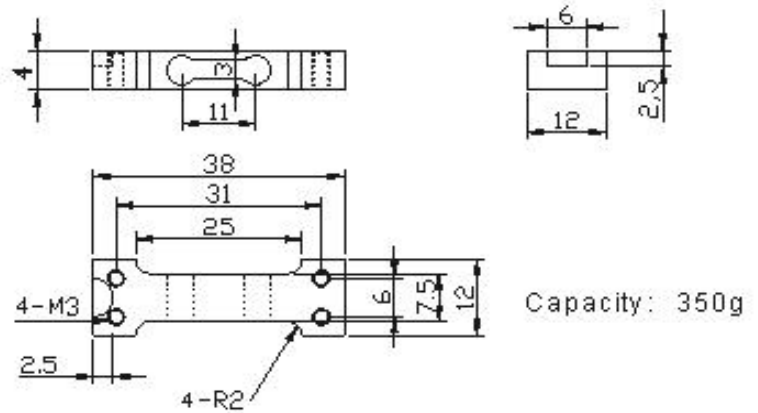


## Load Cell Model FAP--38

Material: Aluminum

Outline



### Specifications

Comprehensive Error		0.03
Output Sensitivity	(mV/V)	$0.6 \pm 0.1$
Nonlinearity	(%F.S)	$\pm 0.03$
Repeatability	(%F.S)	$\pm 0.03$
Hysteresis	(%F.S)	$\pm 0.03$
Creep	(%F.S)	$\pm 0.03$
Zero Drift	(%F.S)	$\pm 0.03$
Temp. Effect on Zero	(%F.S/10°C)	$\leq \pm 0.1$
Temp. Effect on Output	(%F.S/10°C)	$\leq \pm 0.03$
Zero Output	(%F.S)	$\pm 0.1$
Input Resistance	( $\Omega$ )	$1050 \pm 50$
Output Resistance	( $\Omega$ )	$1000 \pm 5$
Insulation Resistance	(M $\Omega$ )	$\geq 2000$
Excitation Voltage	(V)	$\leq 6$
Operation Temp Range	(°C)	0--+50
Overload Capacity	(%F.S)	150
Capacity	(g)	350
Material		Aluminum alloy
Protection		IP65
Recommended Applications		Subminiature sensors- ---pocket scale sensors

Note: All Specifications Subject To Change Without Notice & Custom-made Products Are Available.