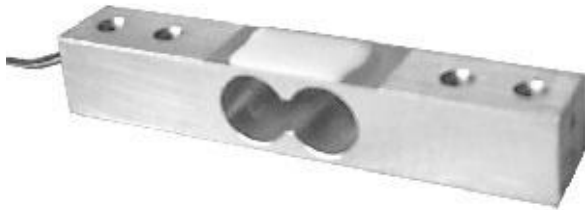
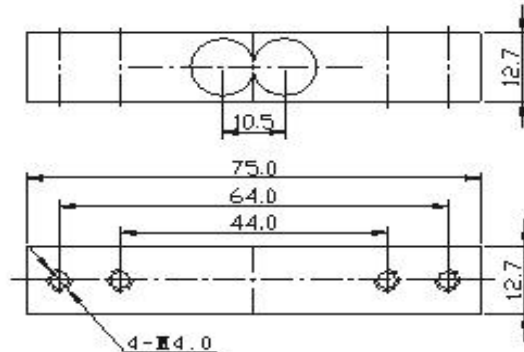


Load Cell Model FAB--75

Material: Aluminum



Outline:



Capacity:
1, 2, 3, 5Kg

Specifications

Comprehensive Error	0.03 (FAB-75-1)	0.05 (FAB-75-2)
Output Sensitivity (mV/V)	1.0 ± 0.1	
Nonlinearity (%F.S)	± 0.03	± 0.05
Repeatability (%F.S)	± 0.03	± 0.05
Hysteresis (%F.S)	± 0.03	± 0.05
Creep (%F.S/3min)	± 0.03	± 0.05
Zero Drift (%F.S/1min)	± 0.03	± 0.05
Temp. Effect on Zero (%F.S/10°C)	≤ ± 0.1	≤ ± 0.1
Temp. Effect on Output (%F.S/10°C)	≤ 0.03	≤ 0.05
Zero Output (%F.S)	± 0.2	
Input Resistance (Ω)	1050 ± 50	
Output Resistance (Ω)	1000 ± 10	
Insulation Resistance (MΩ)	≥ 2000	
Excitation Voltage (V)	≤ 6	
Operation Temp Range (°C)	0--+50	
Overload Capacity (%F.S)	150	
Capacity (kg)	1,2,3,5	
Material	Aluminum alloy	
Protection	IP65	
Recommended Applications	Food scale sensors	

Note: All Specifications Subject To Change Without Notice & Custom-made Products Are Available.