

FAB-7

平行梁式称重传感器 Parallel Beam Load Cell

材质: 铝合金

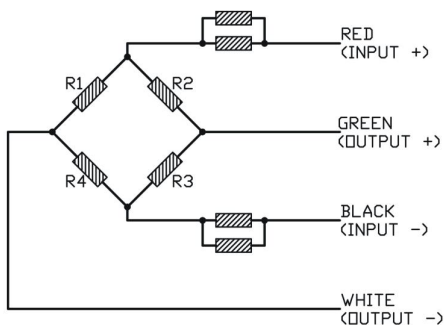
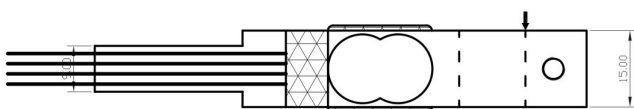
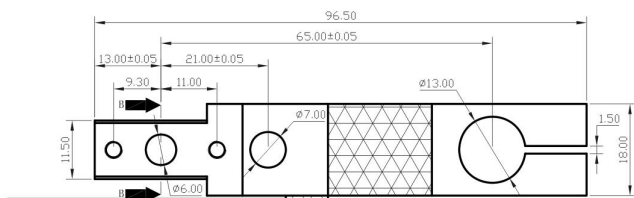
Materials: Aluminum alloy

FAB-7型采用铝合金材质，无色阳极氧化处理，硅胶密封，Ip65。适应于机械设备的工业控制。

Model FAB-7 is constructed using aluminum alloy material, colorless anodized, silicon rubber seal, Ip65.

Application: Machinery control system.

主要技术指标 Specifications



量程 Capacity	5/10KG
综合误差 Comprehensive Error	C2
输出灵敏度 Output Sensitivity	2.0±0.1mV/V
非线性 Nonlinearity	±0.05%F.S
重复性 Repeatability	±0.05%F.S
滞后性 Hysteresis	±0.05%F.S
蠕变 Creep	±0.05%(20min)F.S
零点温度漂移 Temperature effect on Zero	≤±0.1%F.S/10°C
额定输出温度漂移 Temperature effect on Output	≤±0.05%F.S/10°C
零点输出 Zero Output	±0.1mV/V
输入电阻 Input resistance	405±10Ω
输出电阻 Output resistance	350±2Ω
绝缘电阻 Insulation Resistance	≥2000MΩ/100VDC
推荐激励电压 Excitation Voltage	5~10(DC)V
工作温度范围 Temperature compensated	0~40°C
安全过载 Safe overload	150%F.S